

# CITROCASA FANTASTIC F/SB



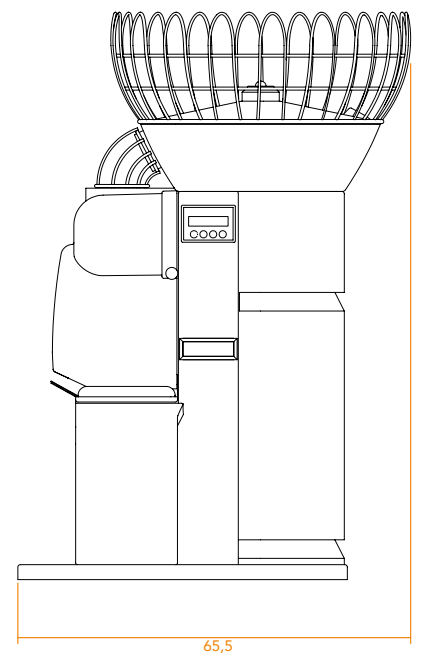
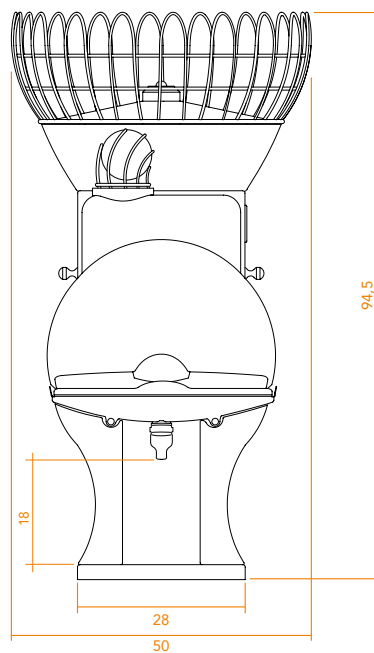
## The new standard in self-service.

The Fantastic F/SB will win you over with its care-free and superefficient operation and will save you money. It's the perfect match for grocery stores and self-service restaurants.

- Automatic fruit feeding
- High-capacity fruit hopper (17 kg / 37 lbs) with our Two Level Feeding-System (TLF)
- Activate juicing just by pushing the self-service tap
- Multifunctional display: digital fruit counter, 5 languages
- Serial Port for cashier systems
- Minimal space requirements (base width of only 28 cm / 11 inches)
- Fast juicing (2 liters per minute / 0.5 gallons per minute)
- Cleanup is fast, simple and hygienic
- Highest quality juice with our SCS Up & Down Cutting System
- Easy and user-friendly operation

# Elegance coupled with competitive advantage.

The Fantastic F/SB.



## CITROCASA Fantastic F/SB – Technical Specifications

Oranges per minute:	Fruit supply	Optimal fruit size	Measurements (H x W x D in cm/in)	Net weight (in kg/lbs)	Power	Fuse protection	Fuse
30 pcs. approx. 2 l juice	17 kg 37 lbs	Ø 65 – 78 mm Ø 2,56 – 3,07 in	94,5 x 50 x 65,5 cm 37.2 x 19.7 x 25.8 in	52 kg 115 lbs	0,2 kW	IPx4	6,3 A